



QUADBEAM TECHNOLOGIES

~ Specialists in process suspended solids & turbidity ~

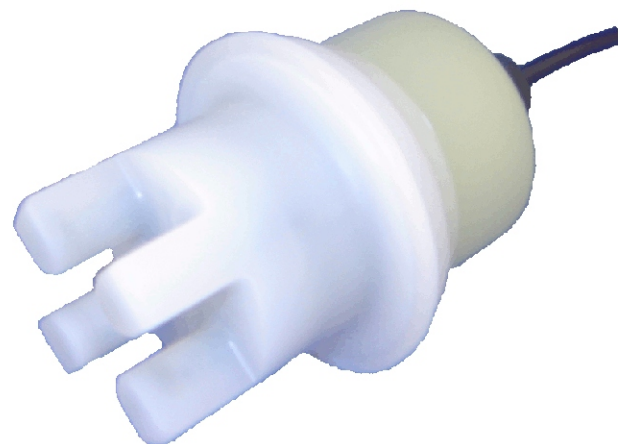
High Temperature (HT) Sensors

High Temp (HT) Sensors

- Available in both Immersion and Hygiene designs with Triclover fittings.
- HT Sensors cover similar ranges to the equivalent S Series Sensors and are used in similar applications.
- All bodies are manufactured from PVDF.
- Max working temp 105 C



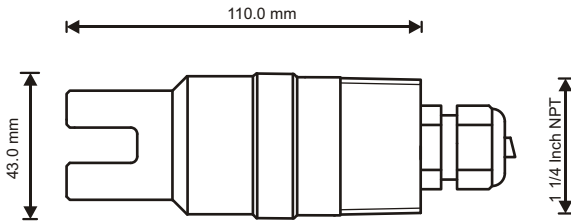
S20 Immersion Sensor



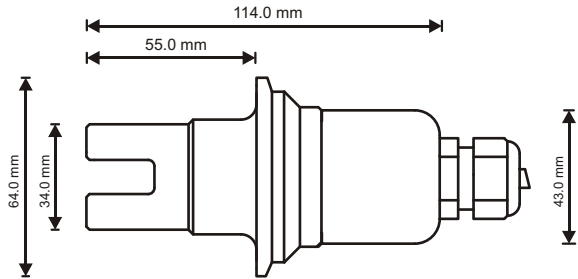
S20 Sensor

HT Sensor Dimensions

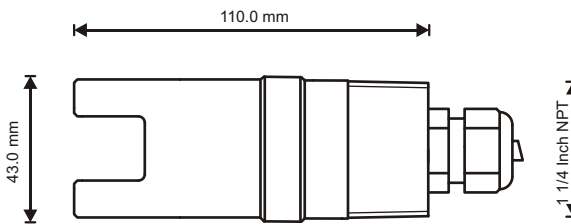
S10 HT Immersion Sensor



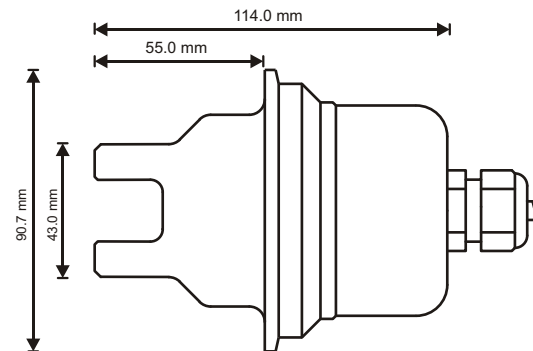
S10 HT Hygienic Sensor



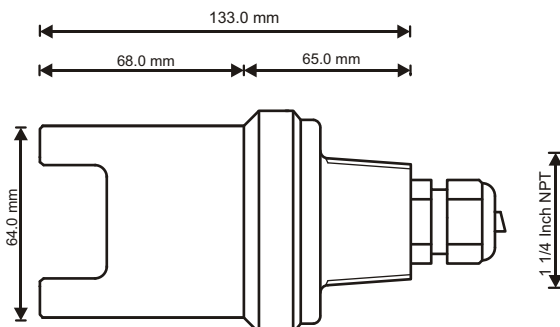
S20 HT Immersion Sensor



S20 HT Hygienic Sensor



S40 HT Immersion Sensor



* Due to our policy of continuous improvements, specifications are subject to change without notice.